

FEATURES

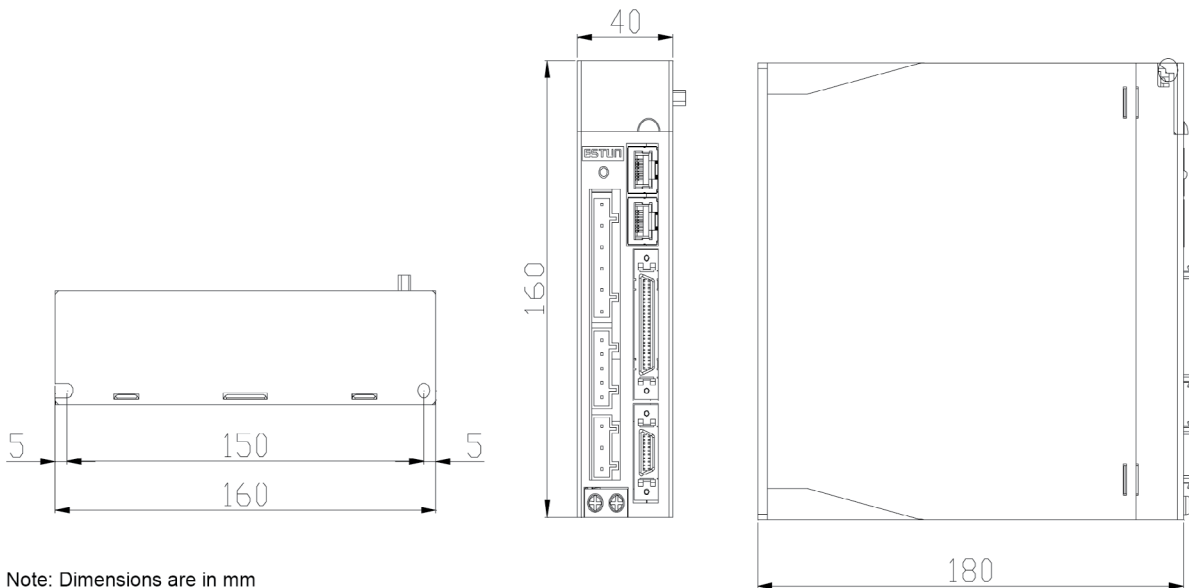
- **Wire-Saving Incremental Encoder**
- **Rated Power 100 Watts**
- **200 VAC Power Voltage**
- **Standard Communication: CANopen**
- **2500 Pulses Per Revolution**
- **CE Certified**



DESCRIPTION

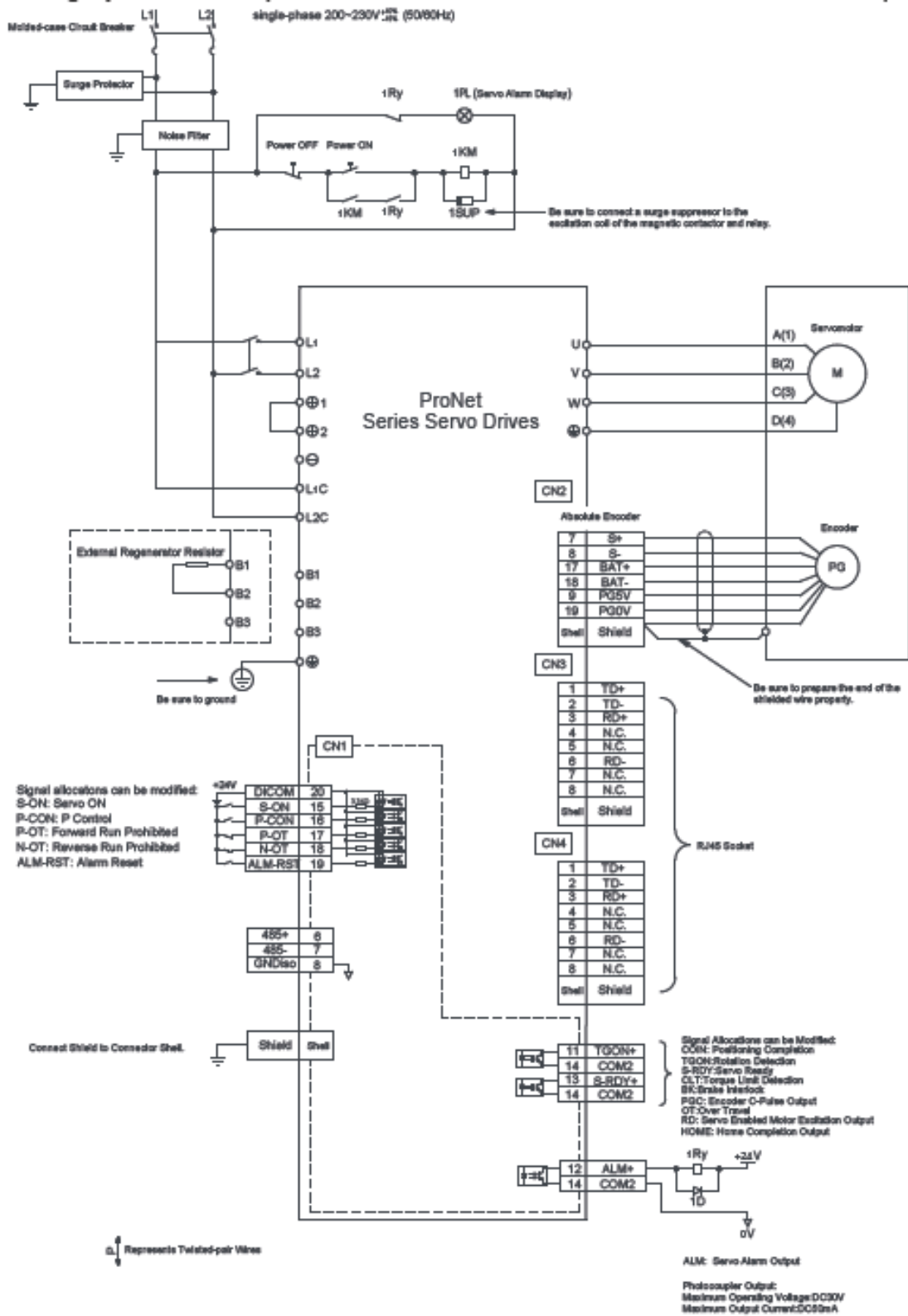
The EtherCAT is an open network based on Ethernet to achieve real time control. It is capable of supporting high speed and synchronized control. The efficient network topology allows the network structure with too many concentrator and complicated connections to be avoided. It's suited for protocol in motion control and factory automation applications. With the EtherCAT slave device it can read the data marked with the devices address information when the frame passes this device. Some data will be written into the when it passes this device. Because of this data reading and data writing could be done within several nanoseconds.

DIMENSIONS



Item	Rated Power (Watts)	Rated Voltage	Drive Control Capabilities	COMM	I/O Signals
PRONET-E-A5A	100	200VAC	Position, Speed, Torque	MODBUS 4 Outputs	8 Inputs 4 Outputs

L011512



L011512